

VC+ Series

Voltage Converters

**NEW FOR
2021**



Montalvo VC+ Series Voltage Converters

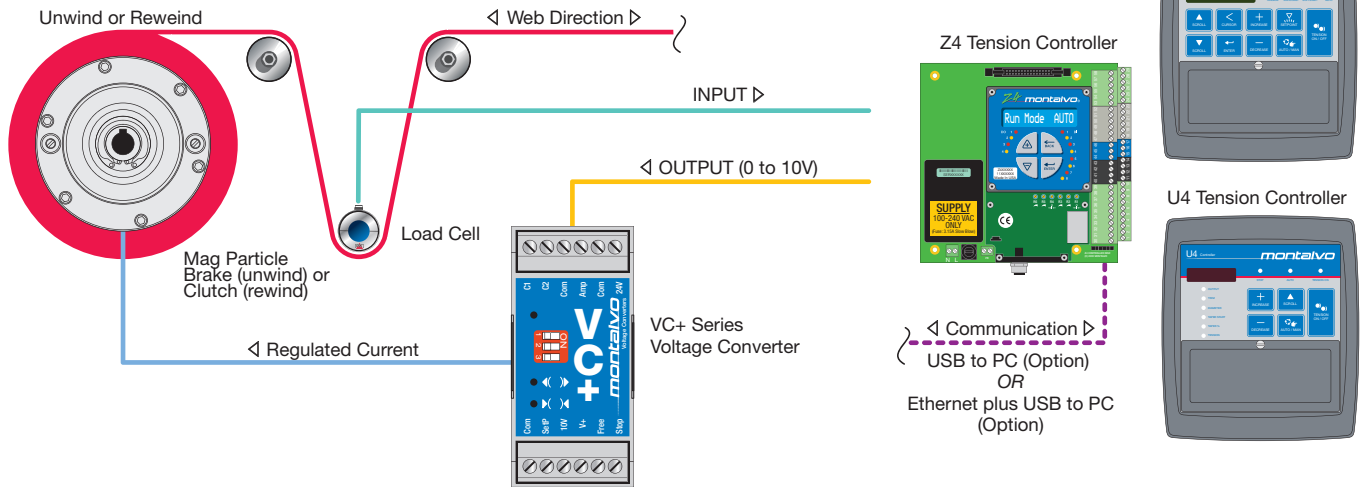
The VC+ is a universal current regulated power supply based on microcontroller technology. It is compatible with our MP-Series Magnetic Particle Brakes and Clutches and all Montalvo tension controllers. Three output ranges to choose from.

Features & Benefits

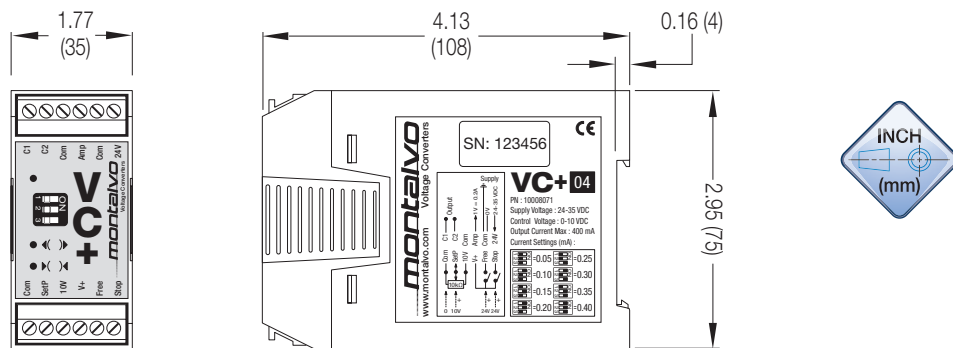
- ▶ Accurate current output control, independent of coil temperature
- ▶ High protection against transients, leading to greater reliability in industrial environments
- ▶ Freewheeling and Locked modes managed from external contacts or analog voltage
- ▶ Remote control via potentiometer or analog voltage
- ▶ LEDs indicate selected mode
- ▶ Real time current equivalent voltage output available
- ▶ Plug-in connectors
- ▶ Compact enclosure
- ▶ DIN rail mounting



How It Works



Dimensions



Specifications

Item	VC+04	VC+2	VC+4
Part Number#	10008071	10008070	10008072
Input Voltage	24 to 35 VDC	24 to 35 VDC	24 to 30 VDC
Output Current Max.	400 mA	2 A	4 A
Output Load	20 to 400 Ω	5 to 60 Ω	1 to 10 Ω
Power Consumption Max.	20 VA	70 VA	120 VA
Remote Voltage Control	0 to 10 VDC		
Temperature (Ambient)	+50 to +104 °F (+10 to +40 °C)		
Weight	0.38 lb (170g)		

207-856-2501 / 800-226-8710
 +86-21-52188010
 +45 75 57 27 11
 +49 (0)511 760 691 41



The Montalvo Corporation

EST. 1947 **montalvo**

50 Hutcherson Drive, Gorham, Maine 04038 USA
 Fax: 1-800-644-5097 / 207-856-2509

Better Web Control®

1-800-226-8710 / info@montalvo.com / www.montalvo.com
 Technical details subject to change without notice. VC+Series-US-01 © Montalvo